

GSUN-6MB(-HV) SERIES 6 INCH 60 CELLS

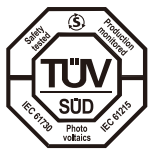
300-320w



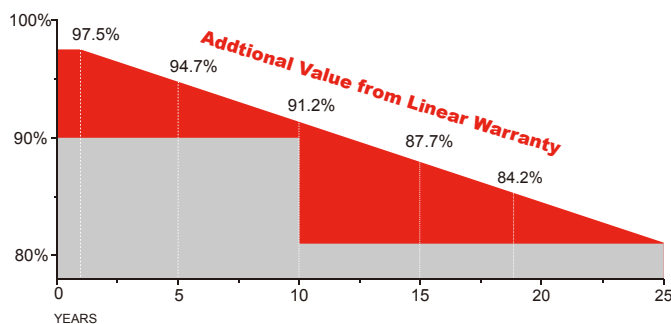
Management system

ISO 9001: Quality management system

Product Certificates



Warranty



10
YEARS

Guarantee on product material and workmanship

25
YEARS

linear power output warranty

Specifications subject to technology and test conditions, GSUN Power reserves the right of final interpretation

Key Features



Safety for salt mist corrosion
Safety for ammonia corrosion



Safety for fire risk
(Class C tested in TÜV SÜD)



Outstanding power output capability
at low irradiance



Triple 100% Electroluminescence (EL)
tests minimize breakage rate



Anti-PID products, passing
TÜV SÜD system voltage durability test



Tested and certified according to newest
IEC standard
IEC61730-1:2016 IEC61215-1:2016
IEC61730-2:2016 IEC61215-2:2016



GSUN-XXX-6MB: Maximum System Voltage 1000 VDC.
GSUN-XXX-6MB-HV: Maximum System Voltage 1500 VDC.

GSUN-6MB(-HV)-(300-320) SERIES 6 INCH 60 CELLS

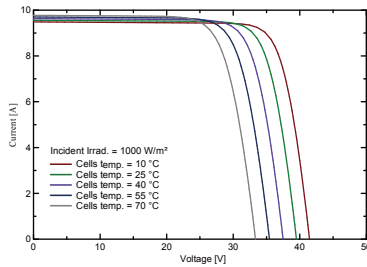
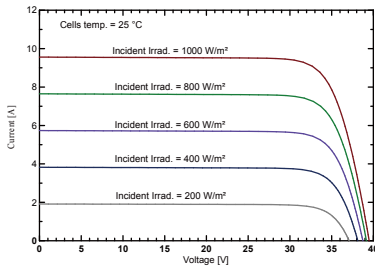
Electrical Characteristics

Module Type	GSUN-300-6MB GSUN-300-6MB-HV		GSUN-310-6MB GSUN-310-6MB-HV		GSUN-315-6MB GSUN-315-6MB-HV		GSUN-320-6MB GSUN-320-6MB-HV	
	STC	NOCT	STC	NOCT	STC	NOCT	STC	NOCT
Maximum Power $-P_{mp}$ (W)	300	223	310	230	315	234	320	238
Open Circuit Voltage $-V_{oc}$ (V)	39.7	36.7	40.2	37.1	40.4	37.3	40.6	37.5
Short Circuit Current $-I_{sc}$ (A)	9.65	7.82	9.82	7.96	9.92	8.05	10.02	8.14
Maximum Power Voltage $-V_{mp}$ (V)	32.1	30.3	32.6	30.7	32.8	30.9	33.0	31.2
Maximum Power Current $-I_{mp}$ (A)	9.35	7.36	9.51	7.50	9.61	7.58	9.70	7.64
Module Efficiency STC- η_m (%)	18.44		19.05/18.94		19.36/19.24		19.67/19.55	
Power Tolerance (W)	(0,+4.99)							
Maximum System Voltage (V)	1000VDC / 1500VDC							
Maximum Series Fuse Rating (A)	20A							
Pmax Temperature Coefficient	-0.36%/°C							
Voc Temperature Coefficient	-0.28 %/°C							
Isc Temperature Coefficient	+0.05 %/°C							
Operating Temperature	-40~+85 °C							
Nominal Operating Cell Temperature	45±2 °C							

STC: Irradiance 1000 W/m² module temperature 25°C AM=1.5

NOCT: Irradiance 800 W/m² ambient temperature 20°C wind speed :1m/s Power measurement tolerance: +/-3%

I-V Curve



Mechanical Specifications

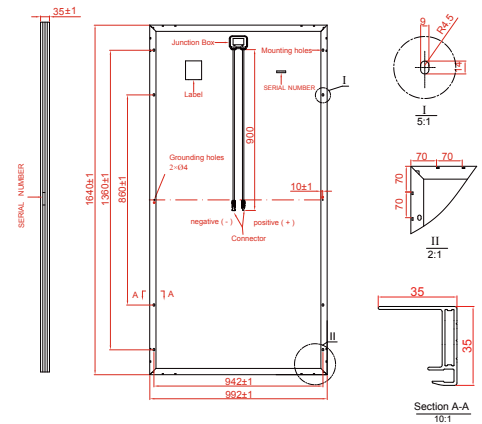
External Dimension	1640 x 992 x 35mm/1650 x 992 x 35mm
Weight	17.5kg/18.0kg
Solar Cells	PERC Mono crystalline 156.75 x 156.75 mm (60pcs)
Front Glass	3.2 mm AR coating tempered glass, low iron
Frame	Anodized aluminium alloy
Junction Box	IP68, 3 diodes
Output Cables	4.0 mm ² , cable length:900 mm
Connector	TT01;PV-KST4/xy-UR;PV-KBT4/xy-UR;
Mechanical Load	5400 Pa

Packing Configuration

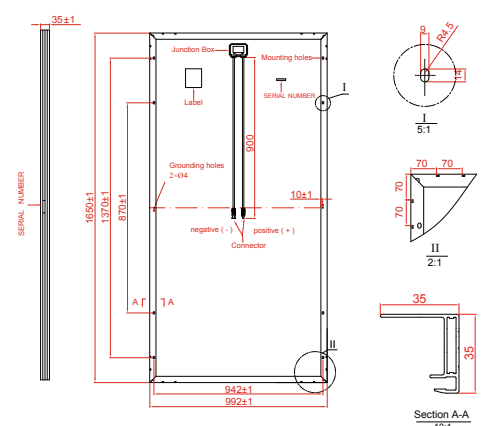
External Dimension	1640 x 992 x 35mm/1650 x 992 x 35mm		
Container	20'GP	40'GP	40'HQ
Pieces per Pallet	30	30	30+2*
Pallets per Container	12	28	28
Pieces per Container	360	840	896

* 30+2 pieces per pallet is the special package which only suits for container transport.For details,please consult GSUN.

Technical drawing(GSUN-XXX-6MB)



Technical drawing(GSUN-XXX-6MB-HV)



* All Dimensions in mm.

* The above drawing is a graphical representation of the product.
For engineering quality drawings please contact GSUN.